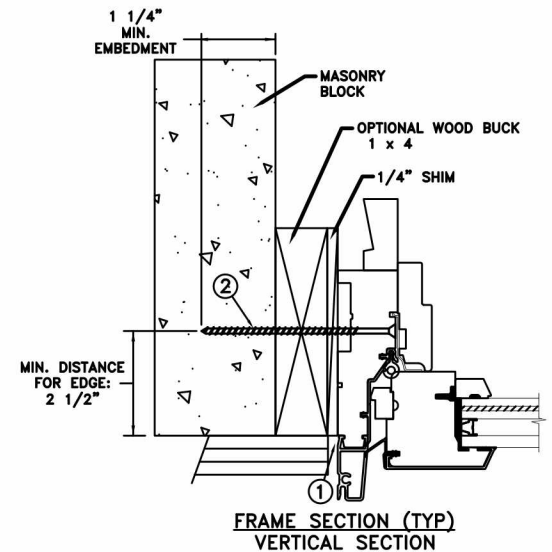


THROUGH FRAME  
INSTALLATION



Max Frame	DP	IMPACT
84" X 84"	+50/-65	YES

Installation Notes:

1. Seal flange/frame to substrate.
2. Use 3/16" Tapcon or equivalent fasteners through frame with sufficient length to penetrate a minimum of 1 1/4" into concrete or masonry at each location with a 2 1/2" min. from edge distance. For concrete (min. fc = 3000 psi) or masonry substrate (CMU shall adhere to ASTM C90).
3. Host structure (wood buck, masonry, steel) to be designed and anchored to properly transfer all loads to the structure. The host structure is the responsibility of the architect or engineer of record for the project of installation.

Digitally signed by Hermes F. Norero, P.E.  
Reason: I am approving this document  
Date: 2016.06.11 11:13:33 -0400

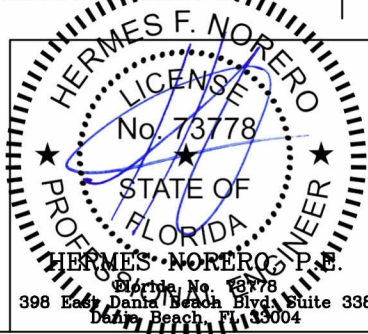
General Notes:

1. The product shown herein is designed, tested and manufactured to comply with the wind load criteria of the adopted International Building Code (IBC), the International Residential Code (IRC), the Florida Building Code (FBC) and the industry standard requirement for the stated conditions.
2. Buck, framing and masonry by others and is responsibility of architect or engineer of record.
3. All glazing shall conform to ASTM E1300.
4. At minimum, glazing shall be 6.0mm annealed - 9.0mm airspace - 4.0mm annealed - 2.29mm SGP Interlayer by Dupont - 4.0mm annealed insulating glass.

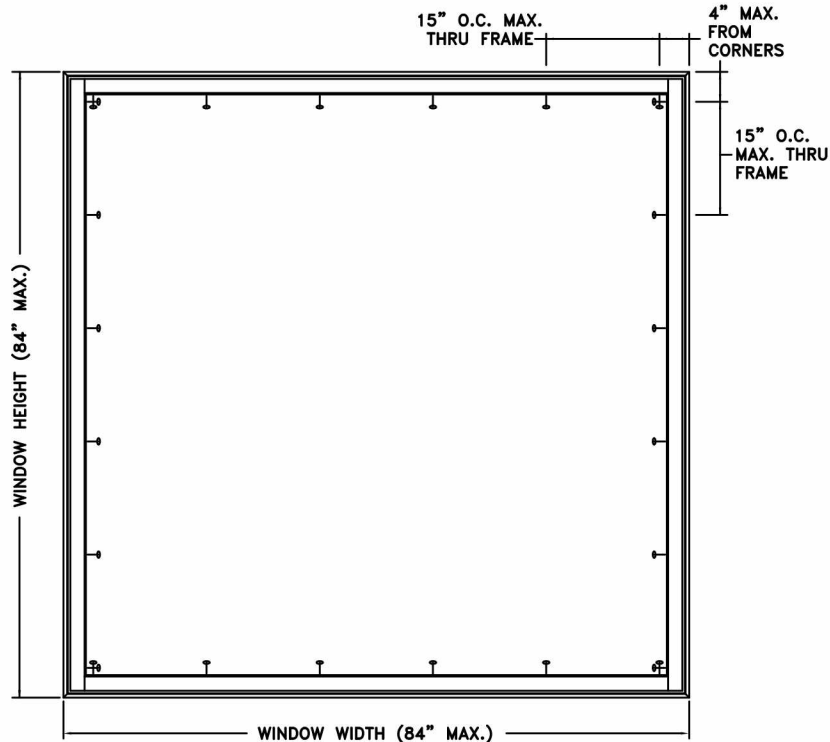
This schedule addresses only the fasteners required to anchor the window to achieve the rated design pressure up to the size limitations noted. It is not intended as a guide to the installation process and does not address the sealing consideration that may arise in different wall conditions. For the complete installation procedure, see the instructions packaged with the window or go to [www.jeld-wen.com](http://www.jeld-wen.com).

DISCLAIMER:

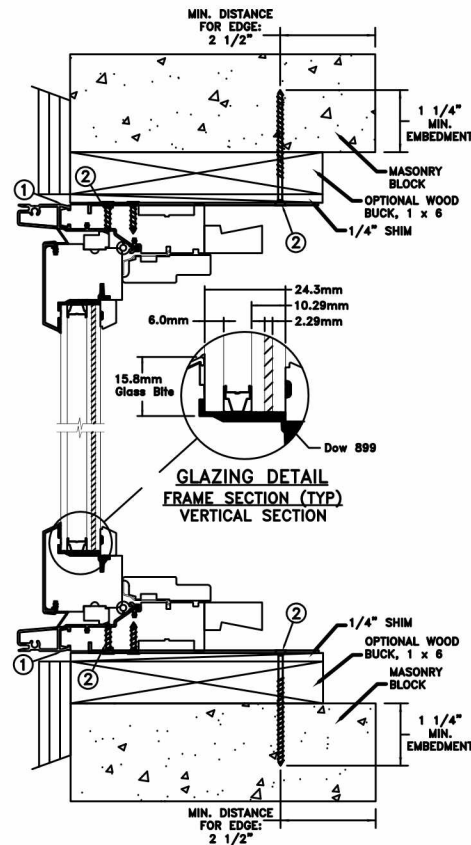
This drawing and its contents are confidential and are not to be reproduced or copied in whole or in part or used or disclosed to others except as authorized by JELD-WEN Inc.



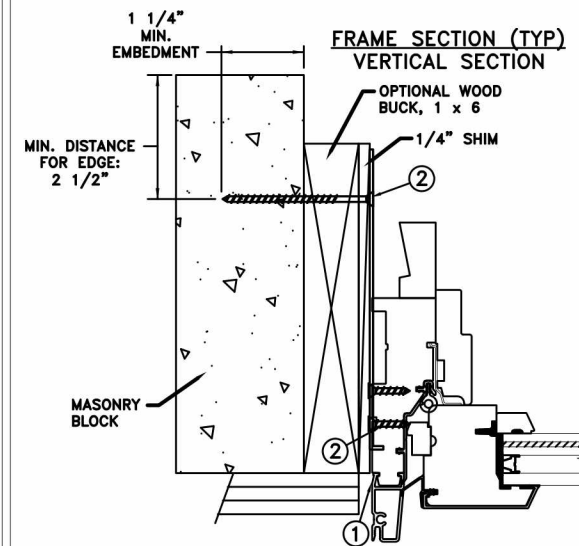
PROJECT ENGINEER:	DATE:	<b>JELD-WEN</b>	3737 LAKEPORT BLVD.
DRAWN BY:	SCALE:		KLAMATH FALLS OR, 97601
CHECKED BY:	TITLE:	PHONE: (800) 535-3936	
APPROVED BY:		Siteline Clad Casement Fixed Window	
PART/PROJECT No.:			
IDENTIFIER No.:	PLANT NAME AND LOCATION:	CAD DWG. No.:	REV: 00 SHEET 1 of 4



TYPICAL ELEVATION WITH FASTENER SPACING



MASONRY STRAP  
INSTALLATION



Max Frame	DP	IMPACT
84" X 84"	+50/-65	YES

Installation Notes:

1. Seal flange/frame to substrate.
2. Use 3/16" Tapcon or equivalent fasteners through strap with sufficient length to penetrate a minimum of 1 1/4" into concrete or masonry at each location with a 2 1/2" min. from edge distance. #8 x 1/2" PH screws through the strap into frame. For concrete (min. fc = 3000 psi) or masonry substrate (CMU shall adhere to ASTM C90).
3. Host structure (wood buck, masonry, steel) to be designed and anchored to properly transfer all loads to the structure. The host structure is the responsibility of the architect or engineer of record for the project of installation.

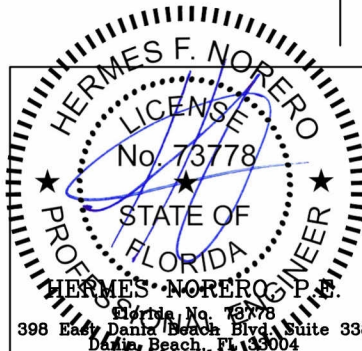
General Notes:

1. The product shown herein is designed, tested and manufactured to comply with the wind load criteria of the adopted International Building Code (IBC), the International Residential Code (IRC), the Florida Building Code (FBC) and the industry standard requirement for the stated conditions.
2. Buck, framing and masonry by others and is responsibility of architect or engineer of record.
3. All glazing shall conform to ASTM E1300.
4. At minimum, glazing shall be 6.0mm annealed - 9.0mm airspace - 4.0mm annealed - 2.29mm SGP Interlayer by Dupont - 4.0mm annealed insulating glass.

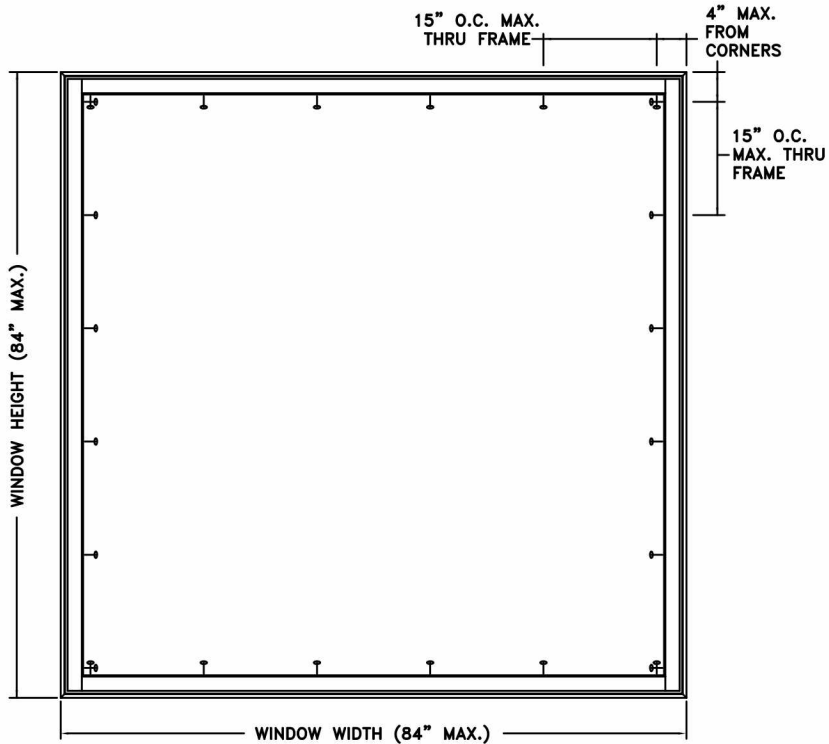
This schedule addresses only the fasteners required to anchor the window to achieve the rated design pressure up to the size limitations noted. It is not intended as a guide to the installation process and does not address the sealing consideration that may arise in different wall conditions. For the complete installation procedure, see the instructions packaged with the window or go to [www.jeld-wen.com](http://www.jeld-wen.com).

DISCLAIMER:

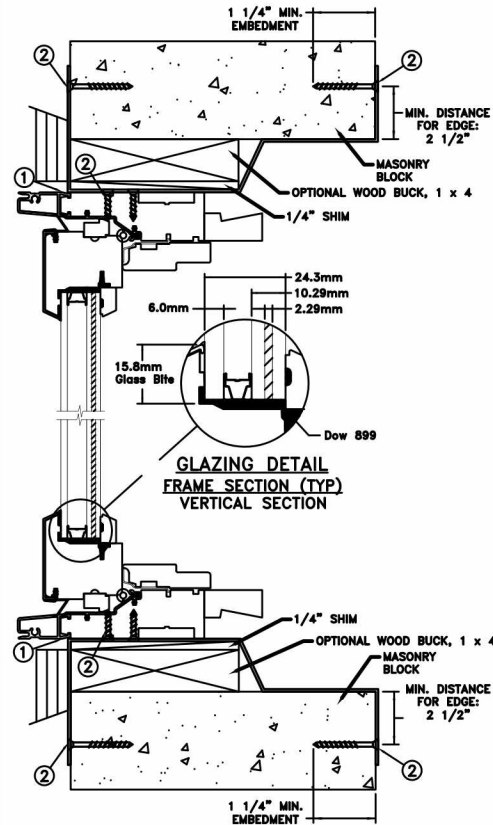
This drawing and its contents are confidential and are not to be reproduced or copied in whole or in part or used or disclosed to others except as authorized by JELD-WEN Inc.



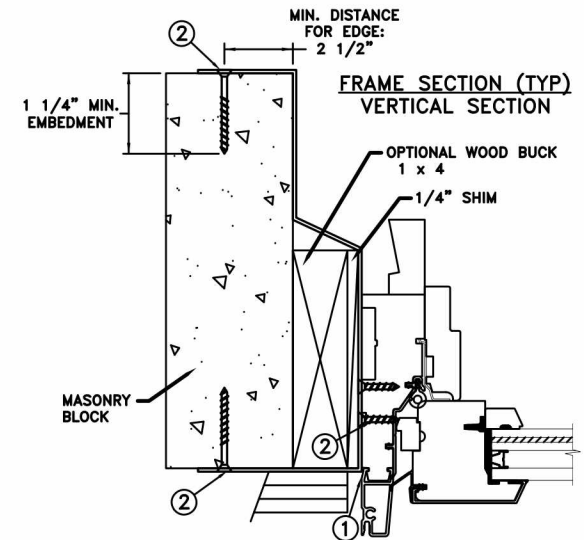
PROJECT ENGINEER:	DATE:	3737 LAKEPORT BLVD.	
DRAWN BY:	SCALE:	KLAMATH FALLS OR, 97601	
CHECKED BY:	TITLE:	PHONE: (800) 535-3936	
APPROVED BY:	Siteline Clad Casement Fixed Window		
PART/PROJECT No.:			
IDENTIFIER No.:	PLANT NAME AND LOCATION:	CAD DWG. No.:	REV: 00
			SHEET 2 of 4



TYPICAL ELEVATION WITH FASTENER SPACING



MASONRY STRAP INSTALLATION



Max Frame	DP	IMPACT
84" X 84"	+50/-65	YES

Installation Notes:

1. Seal flange/frame to substrate.
2. Use 3/16" Tapcon or equivalent fasteners through the interior and exterior of the strap with sufficient length to penetrate a minimum of 1 1/4" into concrete or masonry at each location with a 2 1/2" min. from edge distance. 2-#8 x 1/2" PH screws through the strap into frame. For concrete (min. fc = 3000 psi) or masonry substrate (CMU shall adhere to ASTM C90).
3. Host structure (wood buck, masonry, steel) to be designed and anchored to properly transfer all loads to the structure. The host structure is the responsibility of the architect or engineer of record for the project of installation.

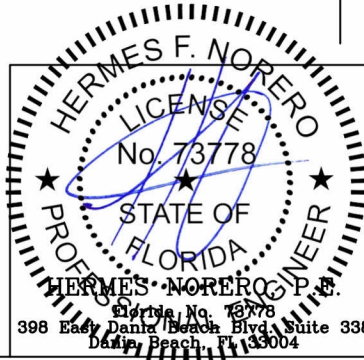
General Notes:

1. The product shown herein is designed, tested and manufactured to comply with the wind load criteria of the adopted International Building Code (IBC), the International Residential Code (IRC), the Florida Building Code (FBC) and the industry standard requirement for the stated conditions.
2. Buck, framing and masonry by others and is responsibility of architect or engineer of record.
3. All glazing shall conform to ASTM E1300.
4. At minimum, glazing shall be 6.0mm annealed - 9.0mm airspace - 4.0mm annealed - 2.29mm SGP Interlayer by Dupont - 4.0mm annealed insulating glass.

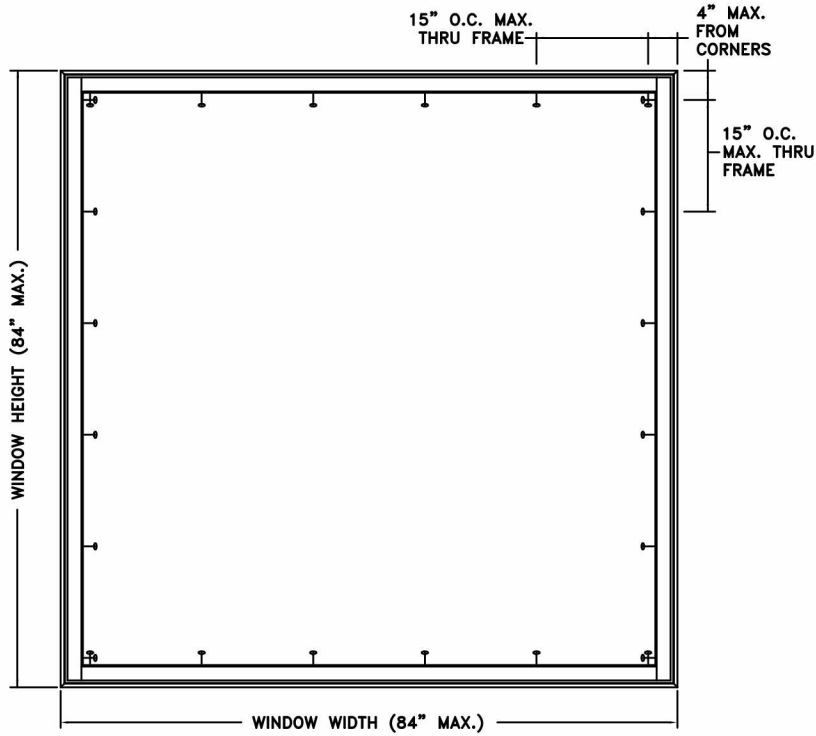
This schedule addresses only the fasteners required to anchor the window to achieve the rated design pressure up to the size limitations noted. It is not intended as a guide to the installation process and does not address the sealing consideration that may arise in different wall conditions. For the complete installation procedure, see the instructions packaged with the window or go to [www.jeld-wen.com](http://www.jeld-wen.com).

DISCLAIMER:

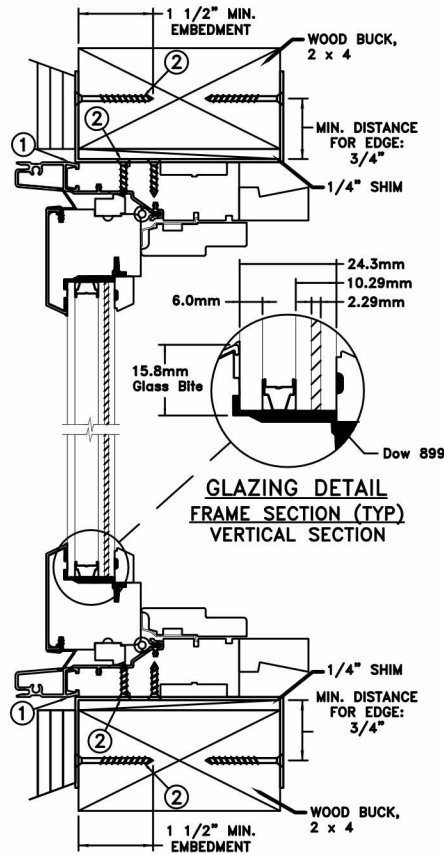
This drawing and its contents are confidential and are not to be reproduced or copied in whole or in part or used or disclosed to others except as authorized by JELD-WEN Inc.



PROJECT ENGINEER:	DATE:	<b>JELD-WEN</b>	3737 LAKEPORT BLVD.
DRAWN BY:	SCALE:		KLAMATH FALLS OR, 97601
D. Vezo	NTS	PHONE: (800) 535-3936	
CHECKED BY:	TITLE:	Siteline Clad Casement Fixed Window	
---			
APPROVED BY:			
---			
PART/PROJECT No.:	PLANT NAME AND LOCATION:	CAD DWG. No.:	REV:
D009404	---		00
IDENTIFIER No.:			SHEET
SJW2015-136			3 of 4

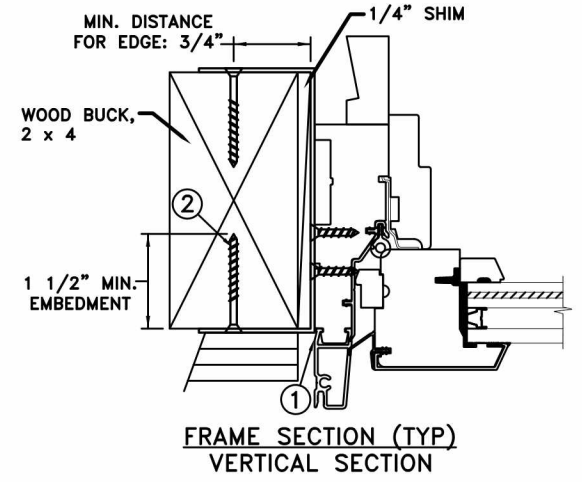


TYPICAL ELEVATION WITH FASTENER SPACING



GLAZING DETAIL  
FRAME SECTION (TYP)  
VERTICAL SECTION

MASONRY STRAP  
INSTALLATION



FRAME SECTION (TYP)  
VERTICAL SECTION

Max Frame	DP	IMPACT
84" X 84"	+50/-65	YES

Installed Fastener Schedule:

1. Seal flange/frame to substrate.
2. Install masonry straps to wood frame using #8 corrosion resistant fasteners no more than 4" from each corner and 16" o.c. along the jambs and head. Bend straps around buck to the interior and exterior, and secure with #8 fastener thru masonry strap into buck. Fasteners must be long enough to penetrate at least 1 1/2" into framing members. Minimum specific gravity = (Min. S.G. = 0.42).
3. Host structure (wood buck, stud framing and opening) to be designed and anchored to properly transfer all loads to the structure. The host structure is the responsibility of the architect or engineer of record for the project of installation.

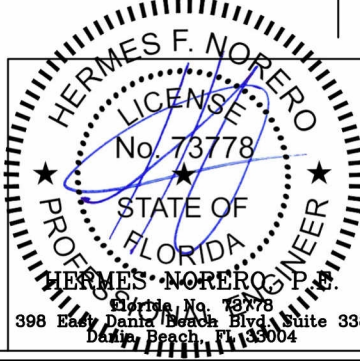
General Notes:

1. The product shown herein is designed, tested and manufactured to comply with the wind load criteria of the adopted International Building Code (IBC), the International Residential Code (IRC), the Florida Building Code (FBC) and the industry standard requirement for the stated conditions.
2. Buck, framing and masonry by others and is responsibility of architect or engineer of record.
3. All glazing shall conform to ASTM E1300.
4. At minimum, glazing shall be 6.0mm annealed - 9.0mm airspace - 4.0mm annealed - 2.29mm SGP Interlayer by Dupont - 4.0mm annealed insulating glass.

This schedule addresses only the fasteners required to anchor the window to achieve the rated design pressure up to the size limitations noted. It is not intended as a guide to the installation process and does not address the sealing consideration that may arise in different wall conditions. For the complete installation procedure, see the instructions packaged with the window or go to [www.jeld-wen.com](http://www.jeld-wen.com).

DISCLAIMER:

This drawing and its contents are confidential and are not to be reproduced or copied in whole or in part or used or disclosed to others except as authorized by JELD-WEN Inc.



PROJECT ENGINEER:	DATE:	<b>JELD-WEN</b>	3737 LAKEPORT BLVD.
DRAWN BY:	SCALE:		KLAMATH FALLS OR, 97601
CHECKED BY:	TITLE:	PHONE: (800) 535-3936	
APPROVED BY:	PART/PROJECT No.:	Siteline Clad Casement Fixed Window	
IDENTIFIER No.:			
PLANT NAME AND LOCATION:	CAD DWG. No.:	REV:	SHEET
---	---	00	4 of 4